



10W (1/74.5 HP)

TORQUE MOTORS Frame size 80mm sq. (3.15 in. sq.)

Single-Phase

LEAD WIRE TYPE

SPECIFICATIONS

INSULATION CLASS A or E, 4POLES

Model	Rating At Locked Rotor	Voltage (V)	Frequency (Hz)	Maximum Output (W)	At Maximum Output			Starting Torque			Capacitor (μF)		
					Current (A)	Torque (kg-cm)	(N-m)	(oz-in)	Speed (rpm)	(kg-cm)		(N-m)	(oz-in)
L8T10□C	5 MIN. CONT.	1∅100	50	10	0.7	1.3	0.127	18.05	750	2.4	0.235	33.33	10
	1∅60	3.6		0.45	0.47	0.046	6.53	0.75		0.074	10.42		
L8T10□B	5 MIN. CONT.	1∅100	60	12	0.67	1.3	0.127	18.05	900	2.3	0.225	31.94	8
	1∅60	3.6		0.43	0.39	0.038	5.42	0.7		0.069	9.72		
L8T10□E	5 MIN. CONT.	1∅220	60	12	0.38	1.3	0.127	18.05	900	2.3	0.225	31.94	2
	1∅140	3.6		0.25	0.39	0.038	5.42	0.92		0.090	12.78		
L8T10□X	5 MIN. CONT.	1∅115	60	15	0.73	1.63	0.160	22.64	900	2.7	0.265	37.49	8
	1∅60	3.6		0.26	0.39	0.038	5.42	0.7		0.069	9.72		
L8T10□X	5 MIN. CONT.	1∅220	50	10	0.41	1.3	0.127	18.05	750	2.7	0.265	37.49	2.5
	1∅140	3.6		0.26	0.47	0.046	6.53	1		0.098	13.89		

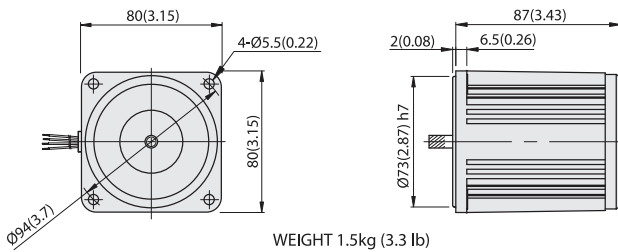
- * Model in grey screen represents the motors with THERMALLY PROTECTED according to UL regulation.
- * Model in dark grey screen represents the motors with THERMALLY PROTECTED according to CE regulation.
- * Insulation class for motors which acquired certificates for export is B.

TORQUE MOTORS

DIMENSIONS

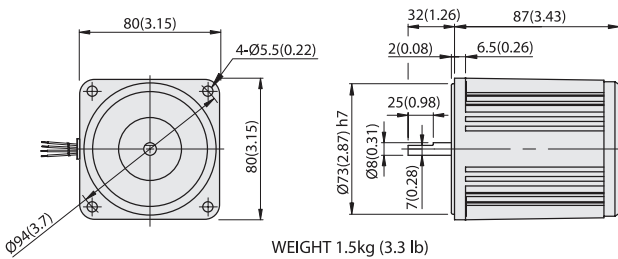
L8T10P□L

Unit : mm(inch)



WEIGHT 1.5kg (3.3 lb)

L8T10D□L

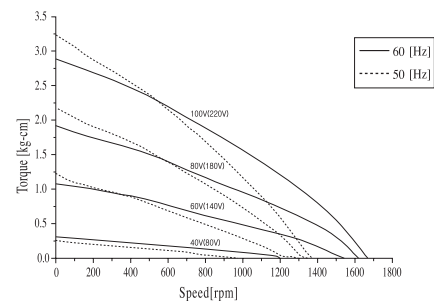


WEIGHT 1.5kg (3.3 lb)

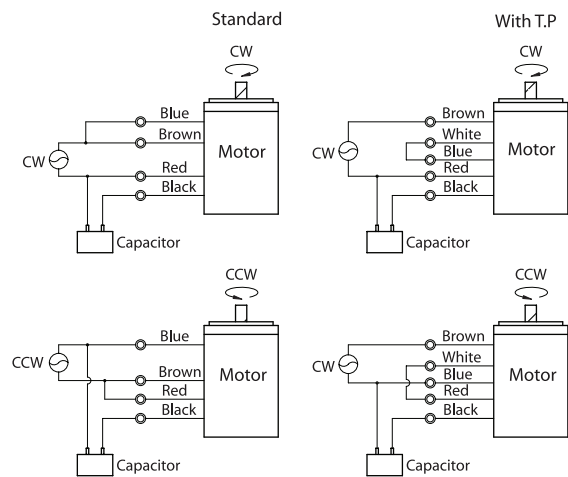


SPEED-TORQUE CURVE

Single phase L8T10 □□



CONNECTION DIAGRAMS



The direction of rotation is seen from the end of motor shaft.